

1 2 3 4 5 6

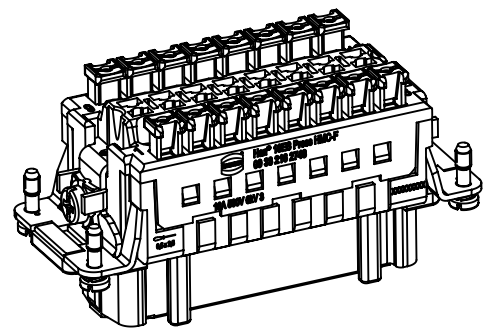
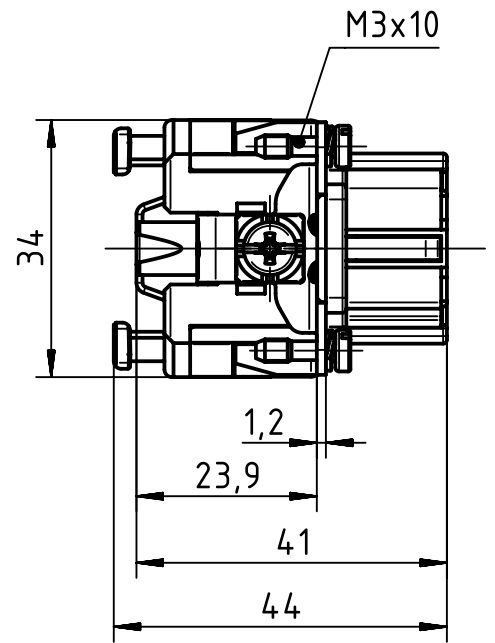
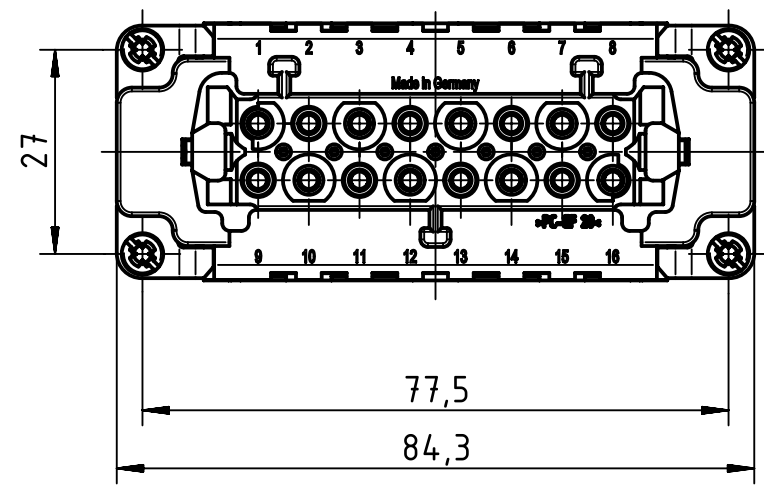
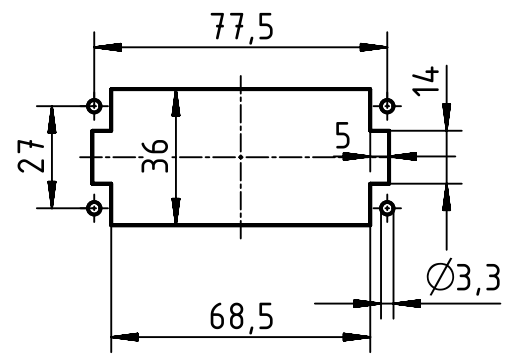
A

B

C

D

panel cut out 1:2



	All rights reserved Department EL PD - DE	All Dimensions in mm Original Size DIN A4		Scale 1:1	Free size tol.	Ref. Sub.
		Created by HOLLERT	Inspected by BERGHORN	Standardisation RUETERA	Date 2018-02-02	State Final Release
HARTING Electric GmbH & Co. KG D-32339 Espelkamp		Title Han 16ES Press HMC-F			Doc-Key / ECM-Nr. 100761824/UGD/001/A 500000130135	
		Type TB	Number 09 33 216 2748		Rev. A	Page 1/1